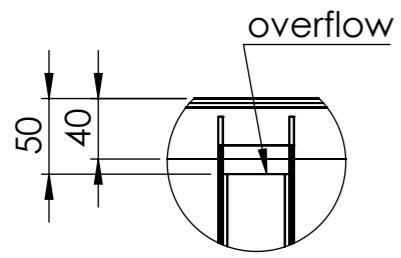
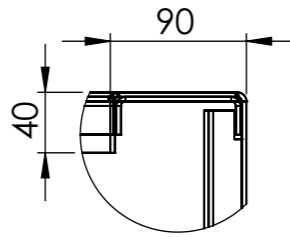


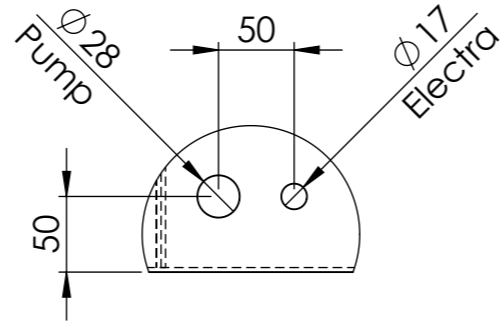
DRAWN	Luuk van den Heuvel	DATE	26-6-2023		TITLE:	Corten 3mm	
REVISION					Drawing:	VC10.1--	A3
		Liessentstraat 4, 5405 AG Uden (NL). † 0031 (0)413 - 27 41 68. e info@adezz.com, i www.adezz.com			SCALE:1:10	SHEET 1 OF 10	
Color:	-	Mass (kg):	97.40				



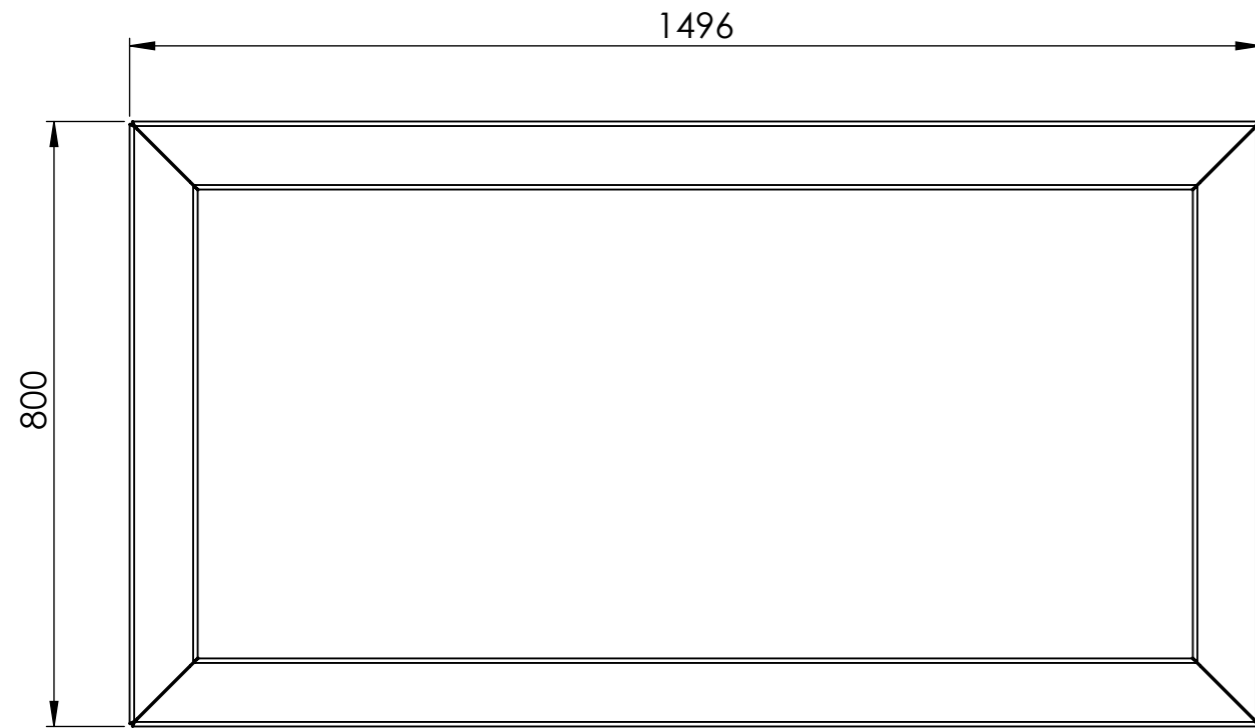
DETAIL A
SCALE 1 : 5



DETAIL B
SCALE 1 : 5

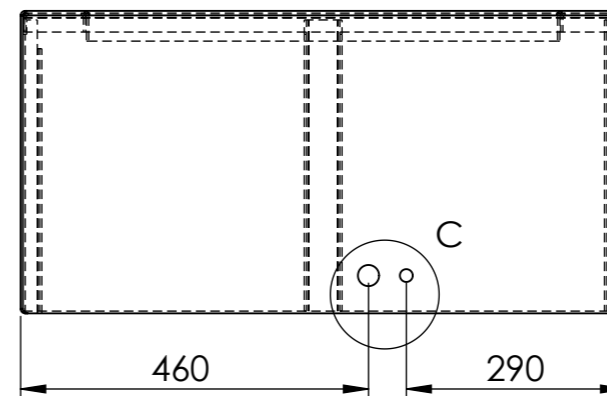
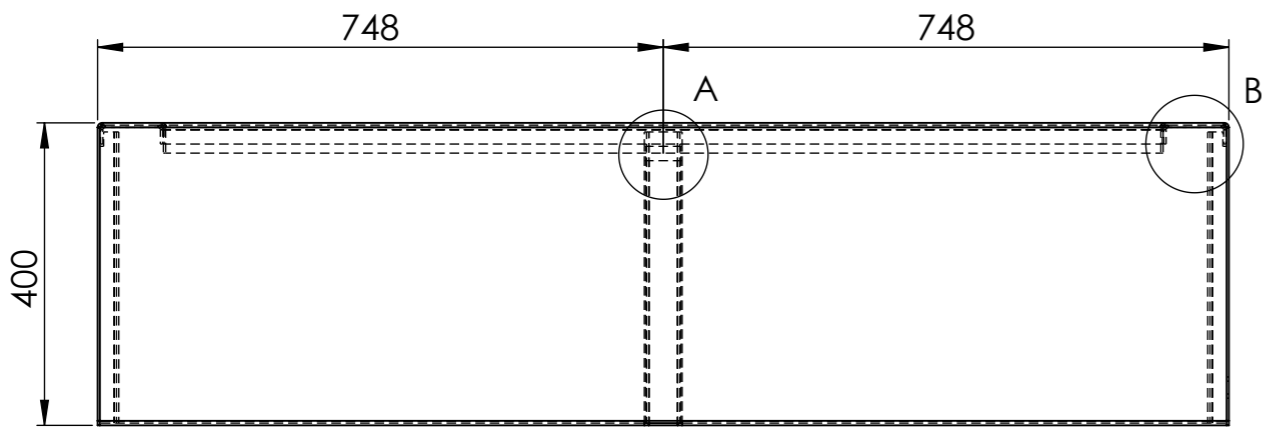
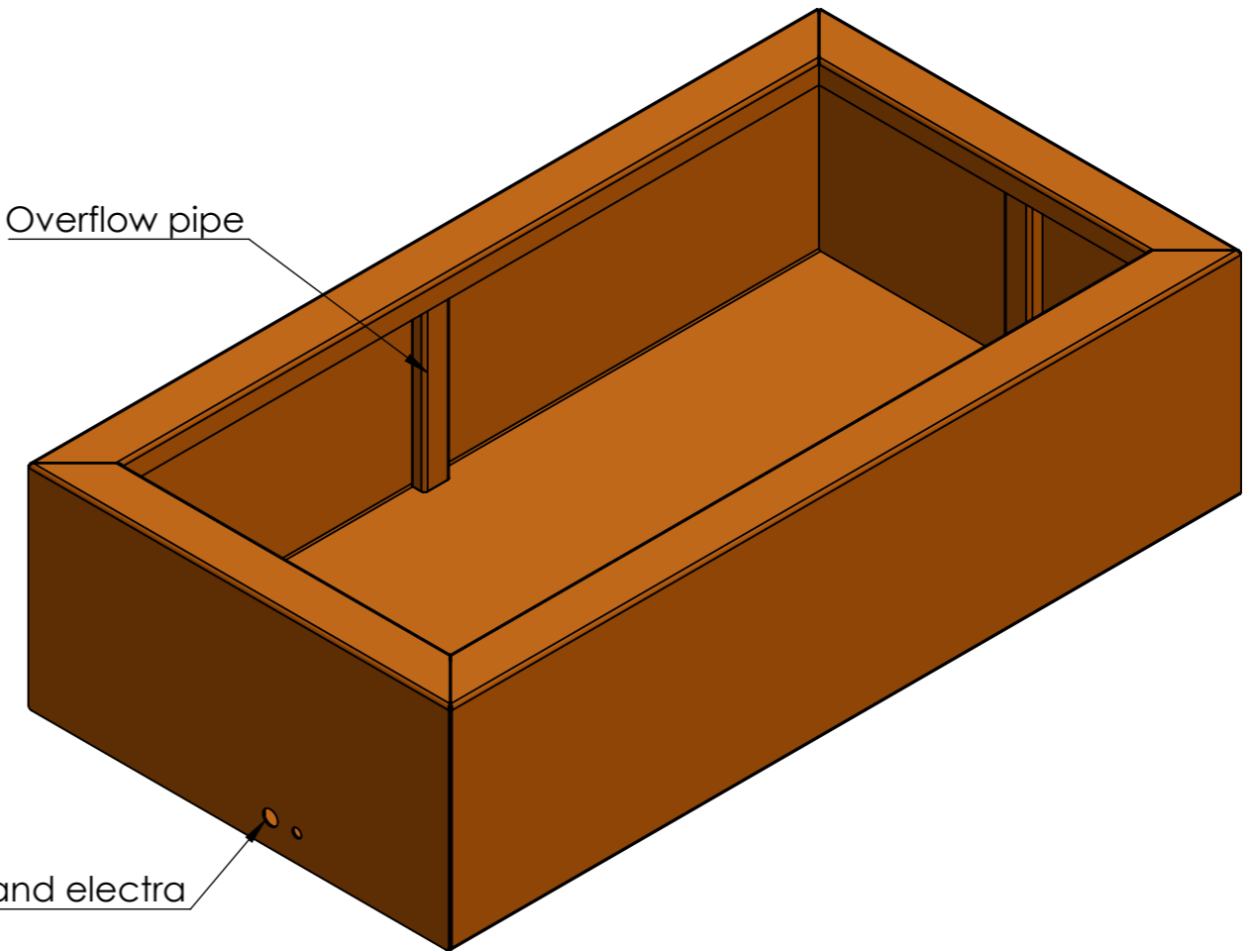


DETAIL C
SCALE 1 : 5

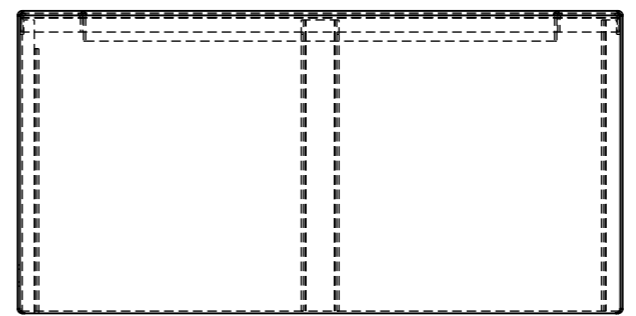
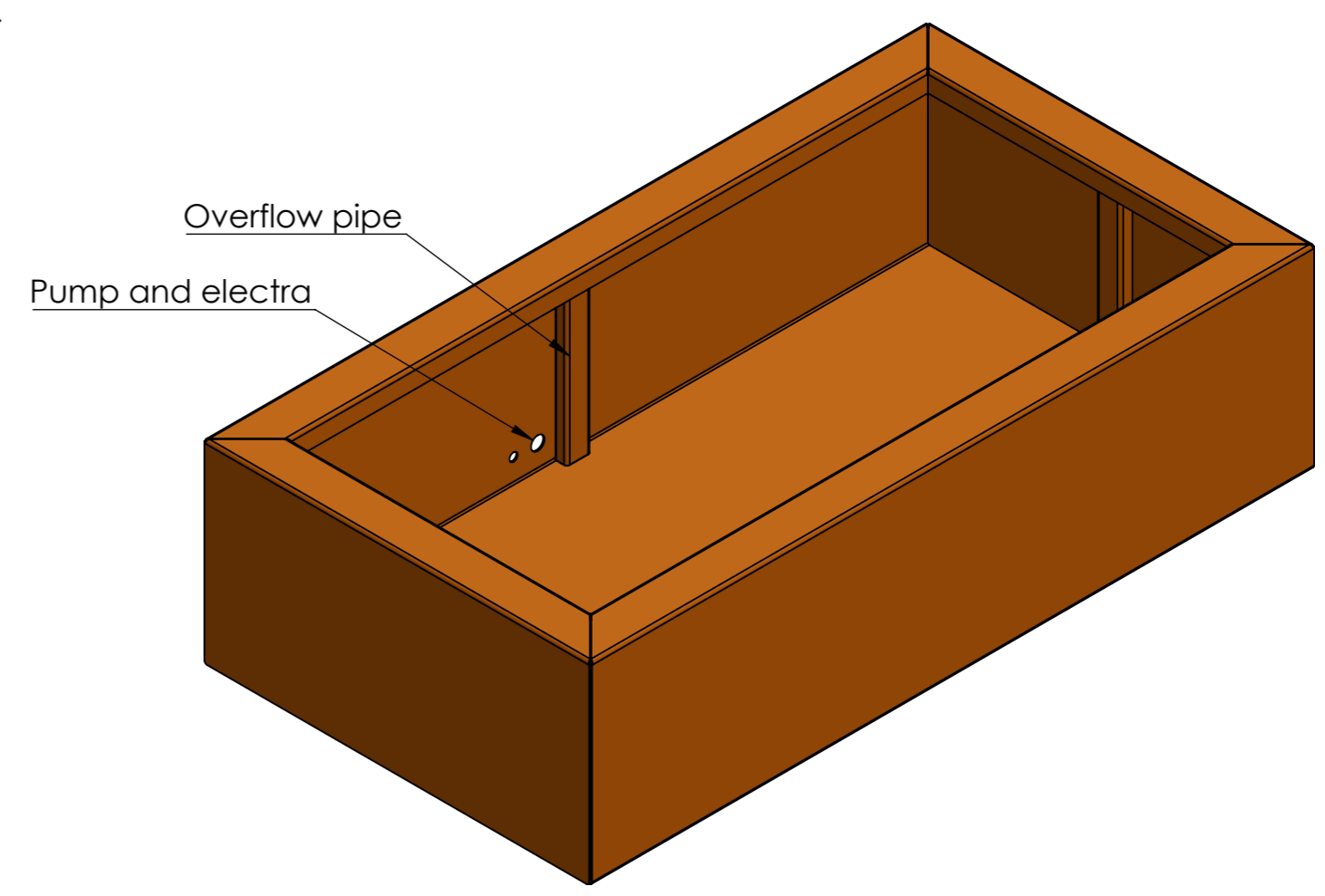
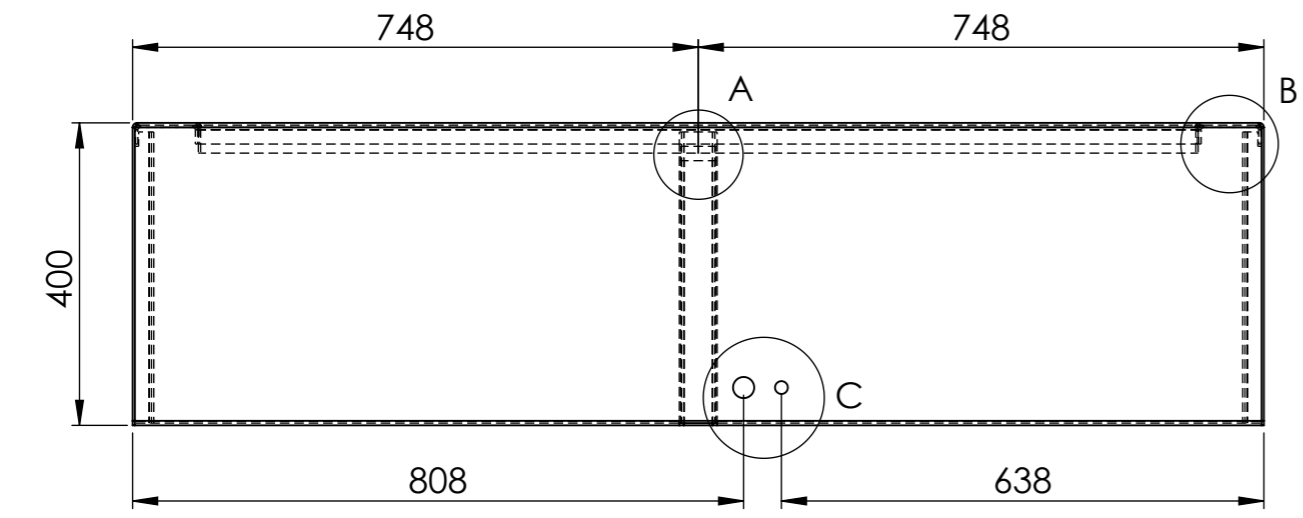
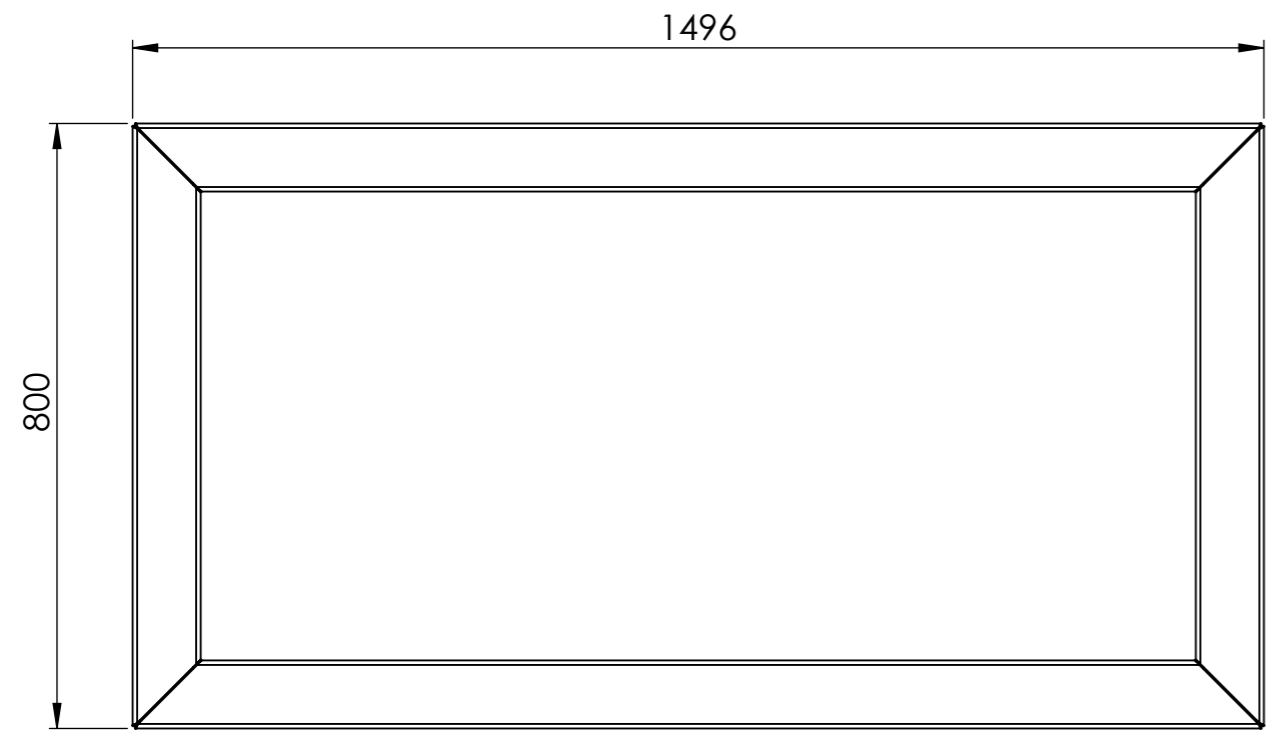
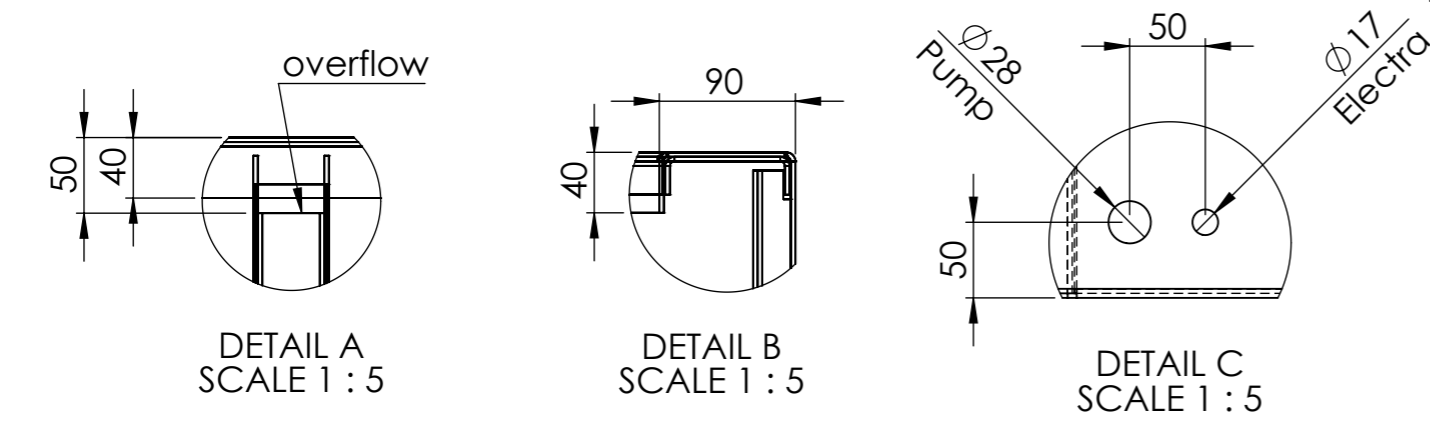


Overflow pipe

Pump and electra



DRAWN	Luuk van den Heuvel	DATE	26-6-2023		TITLE:	Corten 3mm	
REVISION						Drawing:	VC10.1--
		Liessentstraat 4, 5405 AG Uden (NL). t 0031 (0)413 - 27 41 68. e info@adezz.com, i www.adezz.com			Color:	-	Mass (kg): 97,38
		SCALE:1:10		SHEET 1 OF 10			



DRAWN	Luuk van den Heuvel	DATE	26-6-2023		TITLE:	Corten 3mm	
REVISION					Drawing:	VC10.1--	A3
		Liessentstraat 4, 5405 AG Uden (NL). † 0031 (0)413 - 27 41 68. e info@adezz.com, i www.adezz.com			Color:	-	Mass (kg): 97,38
		SCALE:1:10		SHEET 1 OF 10			